



High-frequency Transformer

PQ3220 Series

Parameters/Dimensions:

PQ3220 Type 1

Information:

Shape: PQ3220

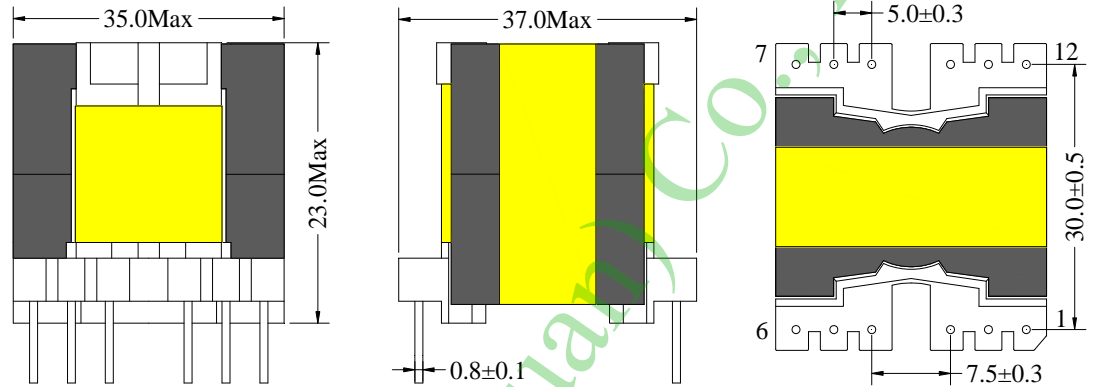
1 Power:125W

2 Mounting Orientation:

Vertical

3 Size: 35(W) * 37(L) * 23(H)

4 Effective Ae (mm2): 170.0



PQ3220 Type 2

Information:

Shape: PQ3220

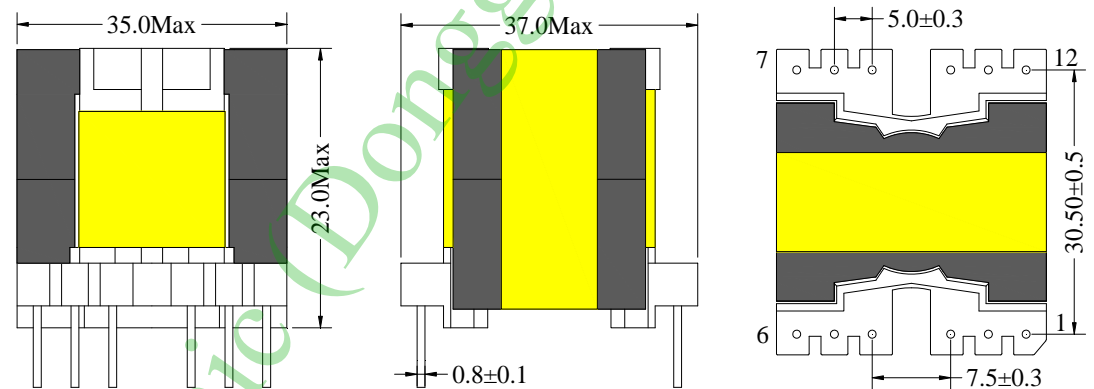
1 Power:125W

2 Mounting Orientation:

Vertical

3 Size: 35(W) * 37(L) * 23(H)

4 Effective Ae (mm2): 170.0



Note:

Bobbin type listed in the traditional style, transformer design parameters to customer needs or to inject prevail.

PQ series high-frequency transformer features:

Low loss, low temperature, anti-jamming performance, reasonable shape, large power range (40W-600W), can effectively reduce installation size, with multiple pins to facilitate wound wiring. Low assembly cost, easy to meet safety requirements, but standardization than the southern.

Uses:

Main power transformers, drive transformers, smoothing chokes, auxiliary power transformer. Mainly used in networking, communications, power, electrical equipment, medical and other fields.